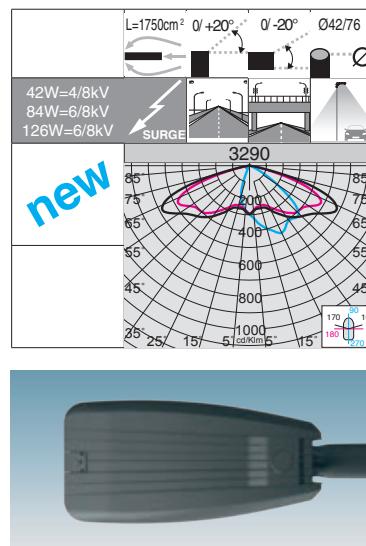


>100.000h

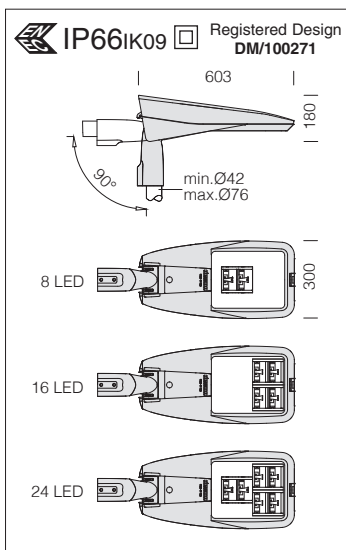


Optics: in aluminium coated with very high purity (99.99%) silver using physical vapour deposition (PVD).

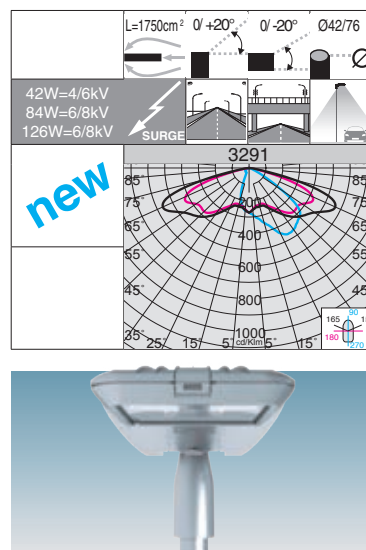
LED: Power factor ≥ 0.92 . Luminous flux maintenance 80%: >100.000h (L80B10).

3290 Sella 1 - ST					
		CLD CELL		LUMEN OUTPUT (tq= 25 °C)	
wattage (700mA)	colour	weight	code	W tot	K - ø1m 700mA - CRI
LED	grey	7.20	330603-00	42	4000K - 4888lm - CRI 70
	graphite		330600-00		
LED	grey	7.20	330603-39	42	3000K - 4546lm - CRI 70
	graphite		330600-39		
LED	grey	7.20	330604-00	84	4000K - 9777lm - CRI 70
	graphite		330601-00		
LED	grey	7.20	330604-39	84	3000K - 9093lm - CRI 70
	graphite		330601-39		
LED	grey	7.20	330605-00	126	4000K - 14567lm - CRI 70
	graphite		330602-00		
LED	grey	7.20	330605-39	126	3000K - 13547lm - CRI 70
	graphite		330602-39		

On request: possibility to control each individual light point (see table on p. 343).



>100.000h



Optics: in aluminium coated with very high purity (99.99%) silver using physical vapour deposition (PVD).

LED: Power factor ≥ 0.92 . Luminous flux maintenance 80%: >100.000h (L80B10).

3291 Sella 1 - STWB					
		CLD CELL		LUMEN OUTPUT (tq= 25 °C)	
wattage (700mA)	colour	weight	code	W tot	K - ø1m 700mA - CRI
LED	grey	7.20	330613-00	42	4000K - 4887lm - CRI 70
	graphite		330610-00		
LED	grey	7.20	330613-39	42	3000K - 4545lm - CRI 70
	graphite		330610-39		
LED	grey	7.20	330614-00	84	4000K - 9710lm - CRI 70
	graphite		330611-00		
LED	grey	7.20	330614-39	84	3000K - 9030lm - CRI 70
	graphite		330611-39		
LED	grey	7.20	330615-00	126	4000K - 14539lm - CRI 70
	graphite		330612-00		
LED	grey	7.20	330615-39	126	3000K - 13521lm - CRI 70
	graphite		330612-39		

On request: possibility to control each individual light point (see table on p. 343).

